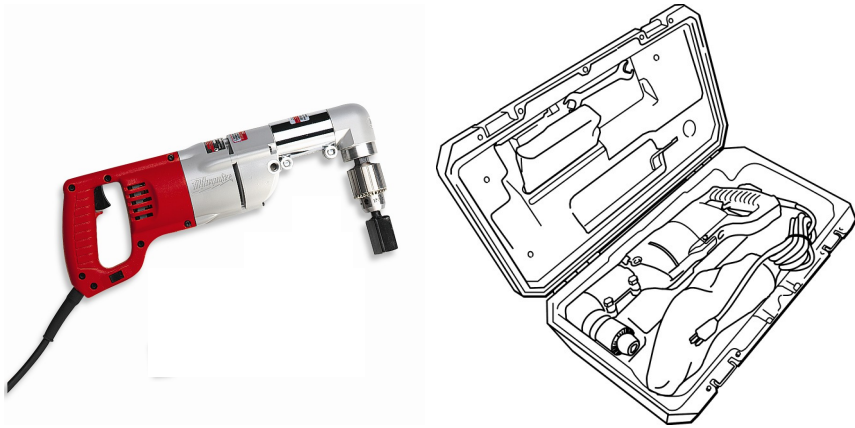


## LynRus Right Angle Drill Operator

Part Number: DRILL-MILL-001



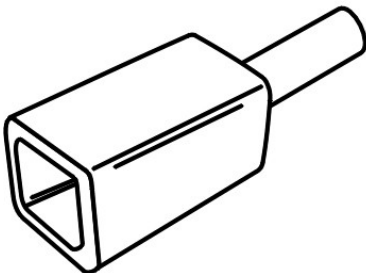
- 7 Amps, Variable Speed
- Volts A C :120
- No Load RPM: Low (with adapter) 0-335
- No Load RPM: High (with adapter) 0-750
- Use with up to 1/2-inch bits
- 1/2" Trigger Speed Control Reversing
- Head and handle swivel 360 degrees for easy drilling in tough spots
- Low 0-335 RPM; High 0-750 RPM
- All ball and roller bearings, Steel hardened shafts

---

## LynRus Angle Drill Motor Adaptor

Part Number: ADAPTER-DRILL-M1

Adapter Sold Separately



Use our adapter with your low speed Right Angle Drill to raise and lower your Backstops. Square design and large chuck size prevent un-authorized use of gymnasium equipment